

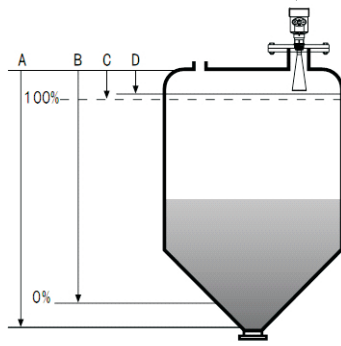
Radar Water Level Sensor



GLT731

INTRODUCTION

Radar level meter antenna by narrow microwave pulse, the pulse propagation in space at the speed of light, meet the measured medium surface, the part of the energy to be reflected back, by the same antenna. Emission pulses and the time interval of the received pulse and the antenna to the measured medium surface is proportional to the distance. Due to the electromagnetic wave propagation and very high speed, pulse and receiving pulse time interval is very small (nanosecond) it is difficult to confirm, 90X series of 26G radar level meter adopts a special demodulation technology, can accurately identify the transmitted pulse and pulse interval, thus further calculate the antenna to the measured medium surface distance.



- A Range Set
- B Low Adjustment
- C High
- D Blind Area

Datum measurement: Screw thread bottom or the sealing surface of the flange

Note: Make sure the radar level meter the highest level cannot enter the measuring blind area (Figure D shown below).

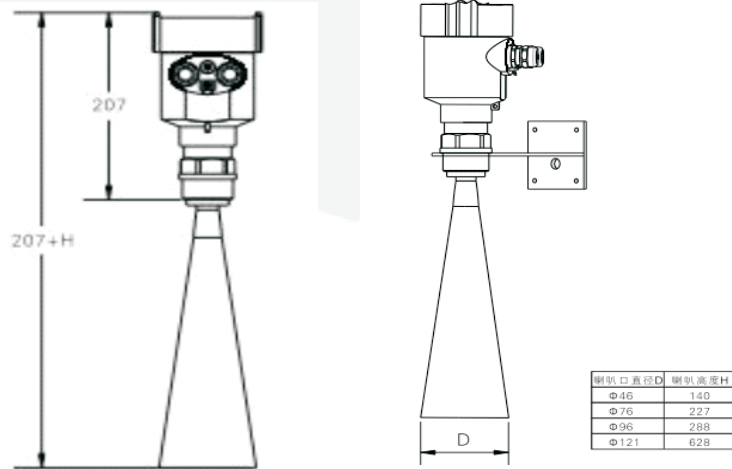
Characteristics of water conservancy industry application:

- Radar level meter adopts a recommended industry emission frequency of 26GHz, so it has beam angle is small, concentrated energy, has stronger anti-interference ability and greatly improves the precision and reliability of measurement.
- Small antenna size, easy to install and dustproof cover antenna protection device.
- The measurement range of up to 70 meters, covering a large reservoir water level measurement.
- With a variety of output circuit interface and data acquisition system.
- The pulse working mode, radar level meter transmit power is very low, no harm to human body and environment.

TECHNICAL PARAMETER

Application	Rivers, Lakes, Shoal
Measuring range	30meter
Process connection	Thread Flange /Bracket
Medium Temperature	-40~100°C
Power Supply	6-26VDC
Accuracy	±3mm
Frequency range	26GHz
Antenna material	SS
Signal output	4~20mA/HART,RS485/Modbus

DIMENSION AND INSTALLATION



MODEL SELECTION

Element	Code	Parameter
Measuring range	A	0-15m
	B	0-30m
Antenna Type / Material	B	Horn antennaΦ76 / stainless steel 316L
	C	Horn antennaΦ96 / stainless steel 316L
	Y	Special custom
Process connection/Material	M	Screw thread G 1½A
	N	Bracket installation
	A	Flange DN50 / PP
	B	Flange DN80 / PP
	C	Flange DN100 / PP
	D	Flange DN125 / PP
	E	Flange DN50 /stainless steel 316L
	F	Flange DN80 /stainless steel 316L
	G	Flange DN100 /stainless steel 316L
	K	Flange DN125 /stainless steel 316L
	Y	Special custom
Seal/Process temperature	V	Viton/ (-40~150℃)
	K	Kalrez/ (-60~150℃)
Electronic unit	1	RS485/Modbus/(6~26)V DC
	2	(4 ~ 20) mA / 24V DC / HART two-wire system
	3	GPRS
Housing / Protection grade	L	Aluminum / IP67
	G	Aluminum / IP67 Double chamber
Cable entry	M	M20*1.5
	N	1/2NPT
Live display/ programming	A	With
	X	Without
Special custom	Y	Special custom